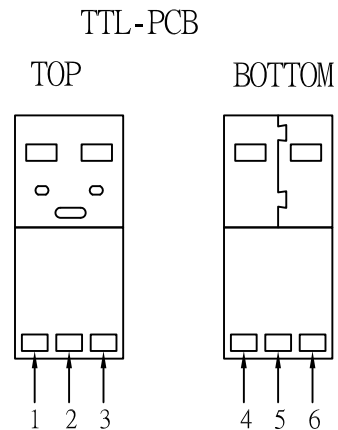
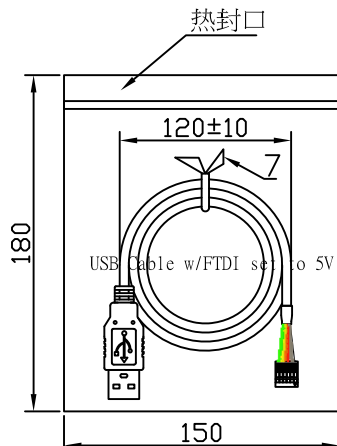
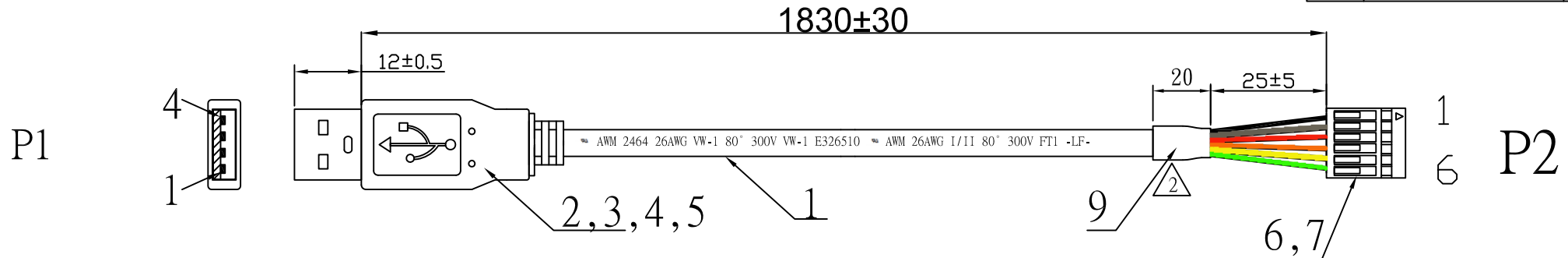


REV	ECRN	DATE
1	NEW PRODUCTION	20150424
2	NEW PRODUCTION	20180319



PIN WIRING

P1		P2
1	RED (5V)	3 (VCC)
2	ORANGE	4 (TXD)
3	YELLOW	5 (RXD)
4	GREEN	6 (RTS#)
5	BLACK	1 (GND)
6	BROWN	2 (CTS#)

模具编号：P-38

NOTES:

1. ELECTRICAL TEST: 100% OPEN, SHORT & MIS WIRE TEST.
2. CONTACT RESISTANCE: 0.5ohm,
3. INSULATOR RESISTANCE: 5M ohm.
4. HIGH VOLTAGE: DC 300V 0.01sec.
5. MUST BE ROHS COMPLIANT.

NO.	PART NO	ITEM	DESCRIPTION	Q' TY	UNIT
⑩	I.180150.0301R	PE BAG	180*150*0.04MM PE袋 PRINTED BLACK FONT"	1	PCS
⑨	F.0501B0.0100R	TUBE	USB Cable w/FTDI set to 5V"	1	PCS
⑧	I.000001.0400R	TIE	φ5.5*20mm HEAT TUBE COLOR BLACK	1	PCS
⑦	E.00254M.0600R	HOUSING	TIE BLACK L=70MM	1	PCS
⑥	D.00254F.1400R	TERMINAL	Dupont 2.54mm 1*6P HOUSING	1	PCS
⑤	C.045P01.0100R	MOLDING	Dupont 2.54mm TERMINAL	6	PCS
④	C.000000.0000R	MOLDING	PVC 45P BLACK	5.5	G
③	J.000008.0500R	MOLDING	PE	2.5	G
②	B.01004M.0N05R	TIN WIRE	TIN WIRE OD:0.8MM	3.5	G
①	A.009X01.0603R	CONNECTOR	TTL-PCB(5V) USB A/M CONNECTOR PLASTIC: WHITE	1	PCS
		CABLE	UL2464 26AWG(7/0.16TC)*6C(RED,ORANGE, GREEN, BLACK, YELLOW, BROWN)+AL FOIL PVC JACKET COLOR:BLACK OD=5.0±0.1mm L=1830MM	1	PCS

DELCK we move the world	
Title: USB 2.0 Pin header Extension Cable 10 pin male / female 50 cm	
Date	2018 / 02 / 01
Unit	mm
Projection	
Rev	A
Item no.	83784
Barcode	4043619837847
File No.	88203