

Panel mounting frames - VS-08-A-RJ45/MOD-1-IP67 - 1689080

Please be informed that the data shown in this PDF Document is generated from our Online Catalog. Please find the complete data in the user's documentation. Our General Terms of Use for Downloads are valid (<http://download.phoenixcontact.com>)



RJ45 panel mounting frame, IP67, for modular socket inserts (Keystone), for square panel cutout, with grommet, without mounting screws, color: gray

Ethernet

Key commercial data

| | |
|------------------|---------------|
| package_quantity | 5 |
| GTIN | 4017918863623 |

Technical data

Mechanical characteristics

| | |
|-----------------------------|--------|
| Number of slots | 1 |
| Insertion/withdrawal cycles | ≥ 1000 |
| Color | gray |

Ambient conditions

| | |
|---------------------------------|------------------|
| Ambient temperature (operation) | -40 °C ... 80 °C |
| Degree of protection | IP67 |

Material data

| | |
|---|---------|
| Inflammability class according to UL 94 | V0 |
| Housing material | PA |
| Material | Plastic |
| Sealing material | NBR |
| Seal material | NBR |

Electrical characteristics

| | |
|------------------|---|
| Pollution degree | 2 |
|------------------|---|

classifications

eCl@ss

| | |
|------------|----------|
| eCl@ss 4.0 | 27140816 |
| eCl@ss 4.1 | 27260701 |
| eCl@ss 5.0 | 27260701 |
| eCl@ss 5.1 | 27260701 |
| eCl@ss 6.0 | 27260705 |

Panel mounting frames - VS-08-A-RJ45/MOD-1-IP67 - 1689080

classifications

eCl@ss

| | |
|------------|----------|
| eCl@ss 7.0 | 27440210 |
| eCl@ss 8.0 | 27440210 |

ETIM

| | |
|----------|----------|
| ETIM 2.0 | EC000764 |
| ETIM 3.0 | EC001121 |
| ETIM 4.0 | EC002310 |
| ETIM 5.0 | EC002310 |

UNSPSC

| | |
|---------------|----------|
| UNSPSC 6.01 | 31261501 |
| UNSPSC 7.0901 | 31261501 |
| UNSPSC 11 | 31261501 |
| UNSPSC 12.01 | 31261501 |
| UNSPSC 13.2 | 31261501 |

accessories

Protective cover

VS-08-SD - 1689200



VS-08-SD-F - 1652606



Data plug

VS-08-BU-RJ45/KA/LSA - 1689459



Panel mounting frames - VS-08-A-RJ45/MOD-1-IP67 - 1689080

accessories

Female insert

VS-08-BU-RJ45/BU - 1689064



VS-08-BU-RJ45-6/KA/LSA - 1653168



VS-08-BU-RJ45-6-MOD/BU - 1653155



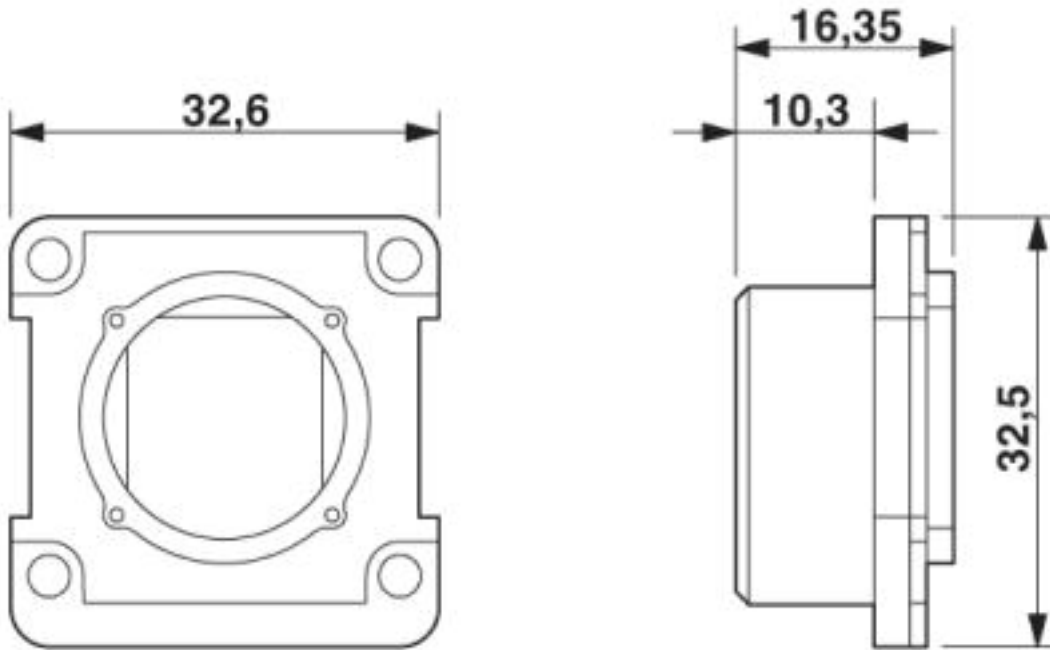
VS-RJ11-BU-MOD/BU - 1656356



Drawings

Panel mounting frames - VS-08-A-RJ45/MOD-1-IP67 - 1689080

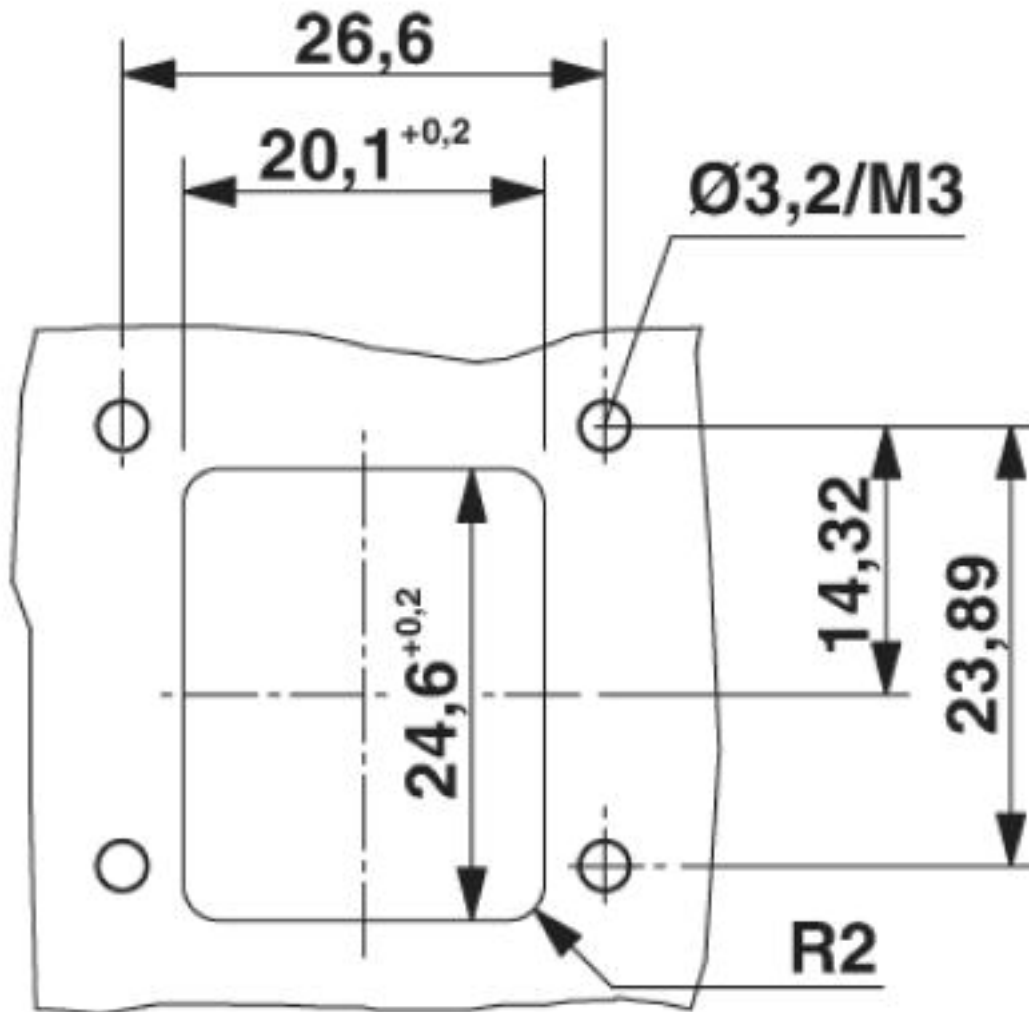
Dimensioned drawing



RJ45 panel mounting frame, IP67

Panel mounting frames - VS-08-A-RJ45/MOD-1-IP67 - 1689080

Dimensioned drawing



Panel cutout

© Phoenix Contact 2013 - all rights reserved
<http://www.phoenixcontact.com>