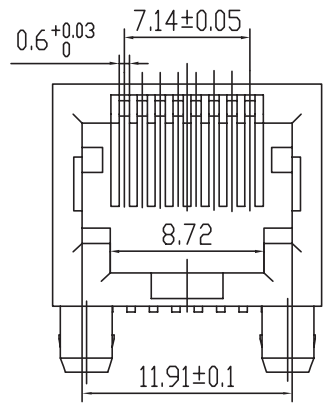
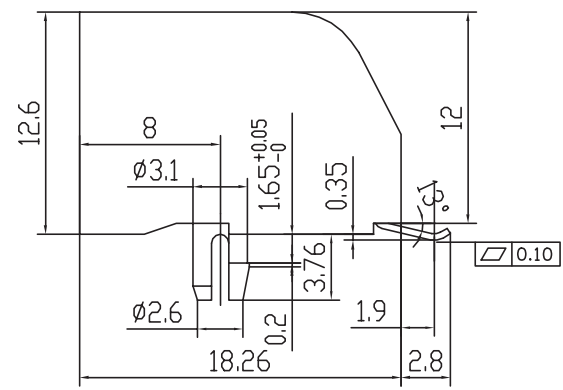


PCB LAYOUT - COMPONENT VIEW



TECHNICAL CHARACTERISTICS

MATERIAL
 INSULATOR MATERIAL: LCP
 FLAMMABILITY RATING UL94-V0
 COLOUR: BLACK
 CONTACT MATERIAL: COPPER ALLOY
 CONTACT TYPE: STAMPED
 CONTACT PLATING: SELECTIVE GOLD
 QUALITY CLASS: 500 MATING CYCLES

ENVIRONMENTAL
 OPERATING TEMPERATURE: -40 °C UP TO 85 °C
 COMPLIANCE: LEAD FREE AND ROHS

ELECTRICAL
 CURRENT RATING: 1.5 A
 WORKING VOLTAGE: 120 VAC
 INSULATION RESISTANCE: >500 MOHM
 DIELECTRIC WITHSTANDING VOLTAGE: 1 000 VAC/MN
 CONTACT RESISTANCE: 20 mOHM MAX

STANDARD
 CERTIFIED: E324776

SOLDERING
 REFLOW PROCESS ONLY

PACKAGING
 TRAY

RoHS Compliant			
H	03-JAN-14	UL & TEMP UPDATE	QL
REV	DATE	FILE	BY

PROJECTION:

GENERAL TOLERANCE
 .X = +/- 0.2
 .XX = +/- 0.15



APPROVAL: RJ

UNIT: MM
 SCALE:
 SHEET: 1/1
 DRAW:

DESCRIPTION: HORIZONTAL PLASTIC SMT 8P8C MODULAR JACK
 TAB DOWN
 WERI PART NO: 634008137221

SIZE
A4