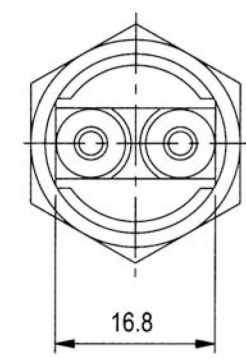
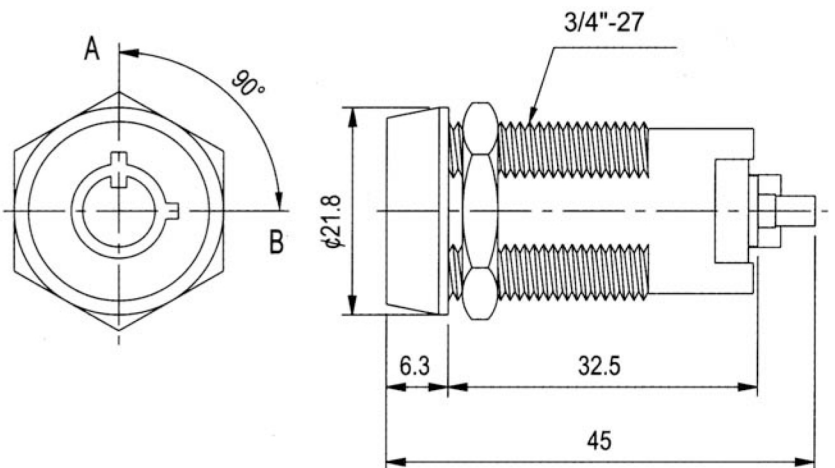
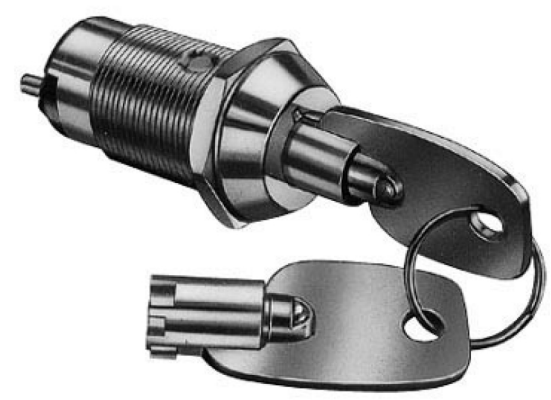
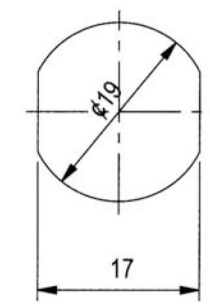
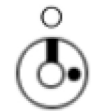


- - Off position
- ▬ - Indicates key pull
- - Indicates no key-pull



**SPECIFICATIONS**

- Zinc alloy die cast housing and cylinder
- Bright chrome plated standard
- 7 pin tumbler mechanism
- Steel tubular keys, nickel plated
- Key-pull in off position only
- Silver plated contacts and terminals
- 2 positions (off-on), 2 tubular terminals
- Hex nut mounted
- All keyed alike or one combination per 100pcs standard
- 10,000 combinations available

Series	Style	Key combinations
SWTK	S202Z-1	X
Key lock switch	ø19mm cylinder, key-pull in off position only	A=All keyed alike B=One combination per 100pcs (up to 10,000 combinations) C=Customer specified

RoHS compliant

Rev.	Description	Date	Approved	Drawing	Name	Date	Part No.: <b>S202Z-1</b> Description: Full size large tubular switch lock, 19mm diameter, key-pull in off position only
				Approved	Howard	08/10/99	
				Checked	Lizzy	08/10/99	
				Drawn	Tina	08/10/99	
				0.0 ± 0.35	0.00 ± 0.20	Angles ± 3'	
						UNIT: mm	