

# The flexible and easy option for immediate isolation of medical devices



**5 YEARS**  
WARRANTY



## MED MI 1005 Network Isolator

The MED MI 1005 network isolator offers a flexible, easy option for immediately isolating medical equipment. In less than 5 seconds, patients, users and equipment are protected from dangerous leakage currents flowing via the data network.

The passive electronic components do not require a separate power supply and behave completely transparently on the data network. Therefore, no installation of drivers or additional software is required.

### Advantages

- › Easy to handle, no installation required
- › Compact, universal range of applications
- › In less than 5 seconds, patients, users and equipment are protected from dangerous leakage currents
- › No fixed cables. No need to replace the entire isolator in the event of a faulty network cable
- › Lightweight, durable housing. Can be connected to any system with a network connection
- › Inexpensive and efficient operation. No dedicated power supply required

## MED MI 1005 Network Isolators



**MED MI 1005  
Network Isolator**



**MED MI 1005  
Network Isolator  
Retail**



**MI 1005 E Medical  
Build In Isolator**



**Wall-mounted  
MED MI 1005 MB  
Medical Network  
Isolator**

**Technical Data**

<b>Color Housing</b>	light grey	light grey	without housing	creme white
<b>Size (L x D x H)</b>	65x29x23 mm	65x29x23 mm	51x23,4x18.2 mm	81x81x57 mm
<b>Wheight</b>	50 g	50 g	20 g	106 g
<b>Operating mode</b>	continuous operation	continuous operation	continuous operation	continuous operation
<b>Dielectric strength of signal and shielding:</b>	5 kV AC (50/60 Hz 60 sec.); max. kV DC (10 sec.) under high-stress conditions			
<b>Data throughput</b>	10/100/1000 MBit/s			
<b>Ports</b>	2x RJ45			
<b>ESD</b>	16 kV			
<b>DC stress test (10 Sec)</b>	10 kV			
<b>Network specifications</b>	IEEE 803.2 ab 10/100/1000-BaseT; Twisted-Pair; auto-conf (behave completely transparently on the data network)			
<b>Material</b>	UL94V-0 / RoHS compliant / REACH			
<b>Product Rating (UL)</b>	Passive ethernet isolating device; insulation rating DI (250 V AC / 300 V DC) tested at 5 kVAC			
<b>Operating duration between failures</b>	0,21 x 10 ^ 8 (in 21 000 000 hours 1 error)			
<b>Return Loss</b>	min. 10 dB			
<b>Insertion on Loss</b>	max. 1,1 dB			
<b>Standards</b>	IEC 60601-1 (3rd Edition); IEC 60601-1-2; UL 60601 (UL Listed E342310); IEEE 802.3; CE			

**Environmental condition during operation**

<b>Temperature</b>	-10 °C to +85 °C
<b>Humidity</b>	10 % to 90 % (non-condensing)
<b>Air pressure</b>	700 hPa to 1060 hPa

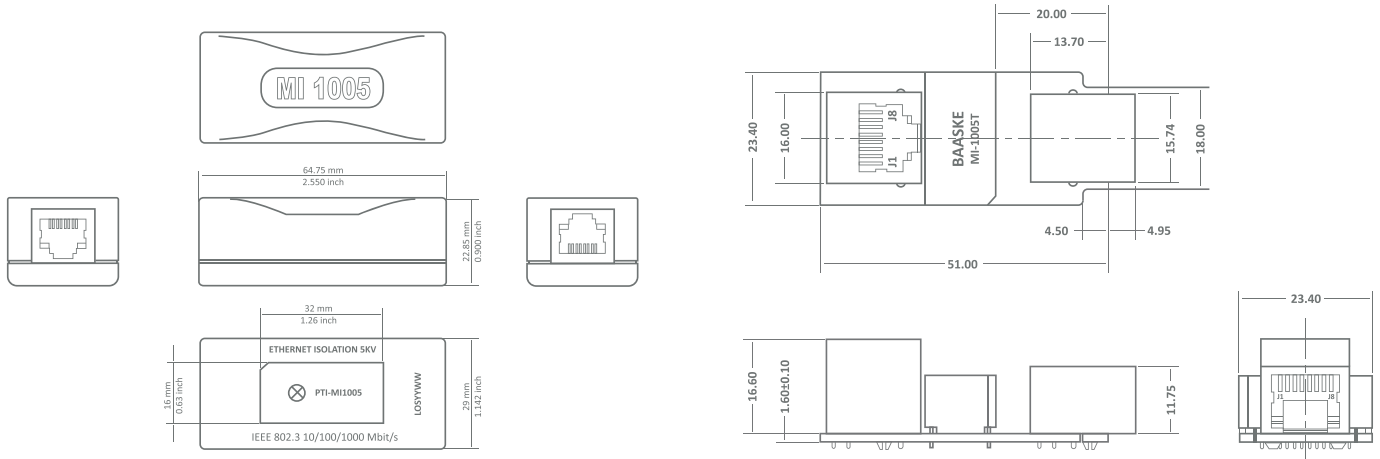
**Environmental conditions during Storage/Transport**

<b>Temperature</b>	-10 °C to +85 °C
<b>Humidity</b>	10 % to 90 % (non-condensing)
<b>Air pressure</b>	700 hPa to 1060 hPa

<b>Warranty</b>	5 years			
<b>Delivery</b>	Network Isolator MED MI 1005	patch cable 25 cm, manual, packing and serial number	MI 1005 E Medical Build In Isolator	1x Cover; 1x Bracket; 1x Frame; 1x MI 1005 E Medical Built In Isolator; 1x Mounting plate; 1x Harting PushPull; 2x Screws; 2x Nuts; 1x Installation instruction; 1x manual
<b>Item No.</b>	<b>2005674</b>	<b>2006484</b>	<b>2006633</b>	<b>2007704</b>

## Network Isolators MED MI 1005/MI 1005 E

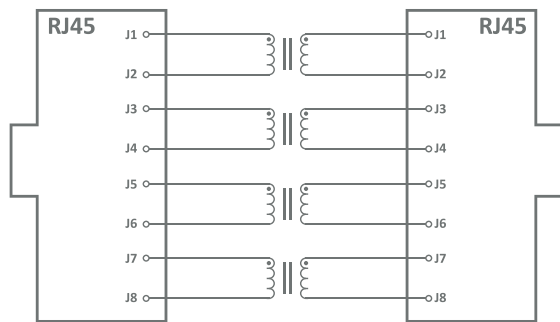
### Dimensions



Network Isolator MED MI 1005

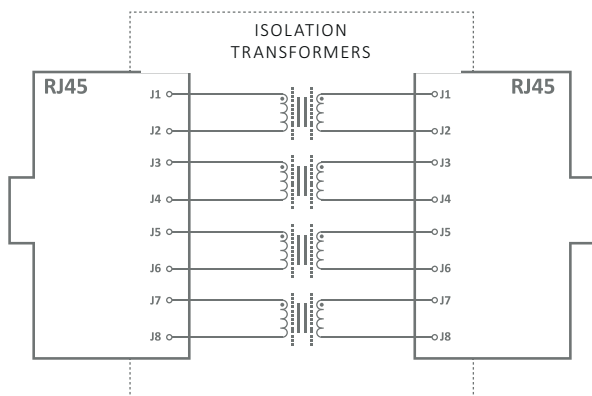
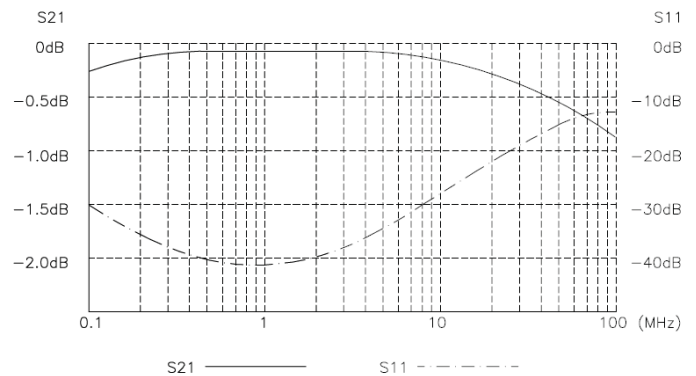
MI 1005 E Medical Built In Isolator

### Circuit



Network Isolator MED MI 1005

### Frequency Range



MI 1005 E Medical Built In Isolator

## Harting PushPull installation accessories for the MI 1005 E



### Mounting housing Flat

Black plastic angled, with integrated seal + retaining clip; mounting holes for M2, 5, IP 65/67

Item No. 2007020



### Mounting housing Compact

Black plastic angled, with integrated seal + retaining clip; mounting holes for M2, 5, IP 65/67

Item No. 2006634



### Mounting housing EasyInstall

Black plastic angled, with retaining clip; mounting holes for M3, IP 65/67

Item No. 2006635



### Connector 4-pole

Cat. 5 IDC; product series HARTING PushPull RJ45 (V4); plastic, black; cable diameter 6.5 mm-8.6 mm; IP 65/67

Item No. 2006636



### Connector 8-pole

Cat. 6 IDC; product series HARTING PushPull RJ45 (V4); plastic, black; cable diameter 6.5 mm-8.6 mm; IP 65/67

Item No. 2006638



### CAT6 patch cable 0.25 m grey PIMF, RoHS

Category 6 S / FTP patch cable ▶ twisted foil-shielded with braided shield (UTP) ▶ halogen-free jacket ▶ shielded, molded RJ45 connector ▶ colored, molded kink protection grommet ▶ length on sleeve ▶ protection of the snap-in nose sleeve ▶ EIA / TIA B.2-1, EN ▶ 50173 ISO / IEC 11801 Class E

Item No. 2005670